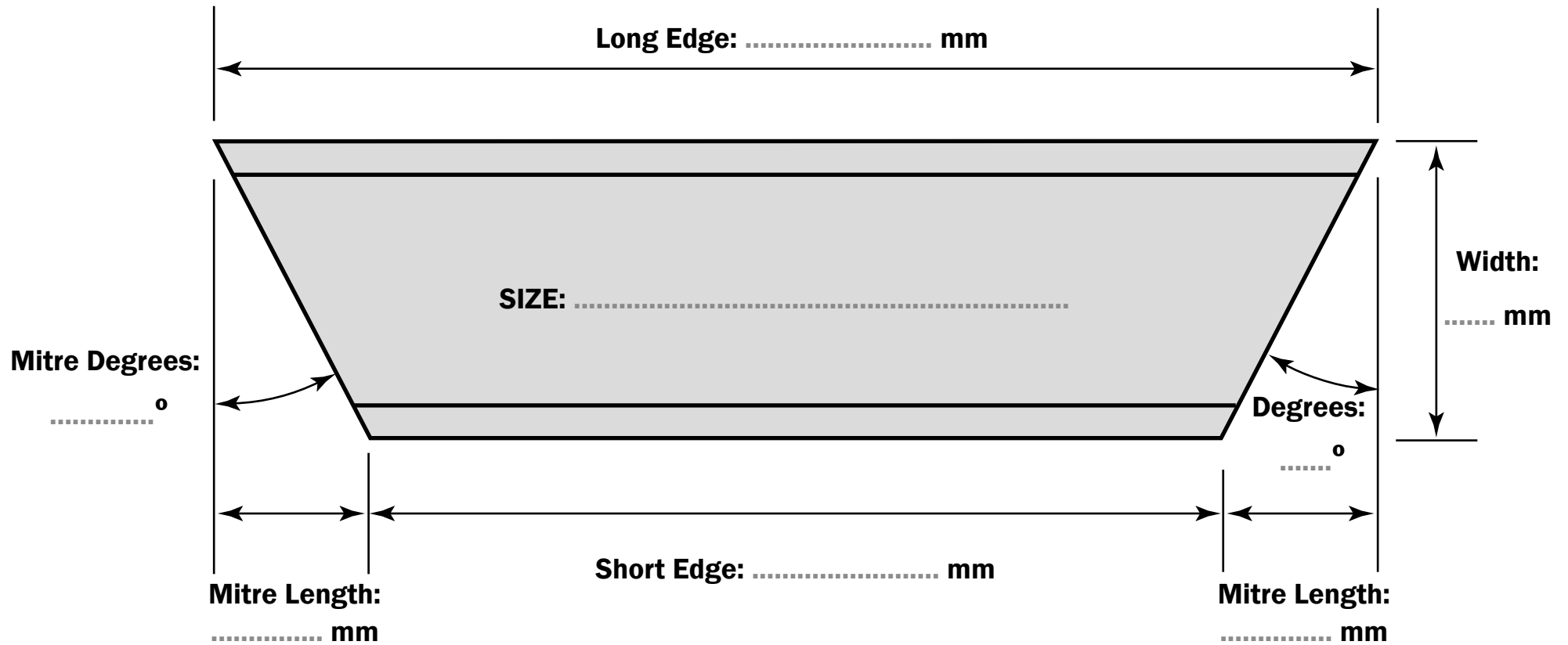


Ref: **ISG-03**

**SAME MITRES OPPOSITE WAYS - ACROSS WEB**



**Use For: UNIVERSAL BEAMS & COLUMNS**

Can Also be used for Hollow Sections, Merchant Bars, Tubes, etc

Customer		Quantity	
Order Number		Part Number	
Advice Note		Date	

